

# American Revolution LED

## Series 247L

### PRODUCT OVERVIEW



### Features:

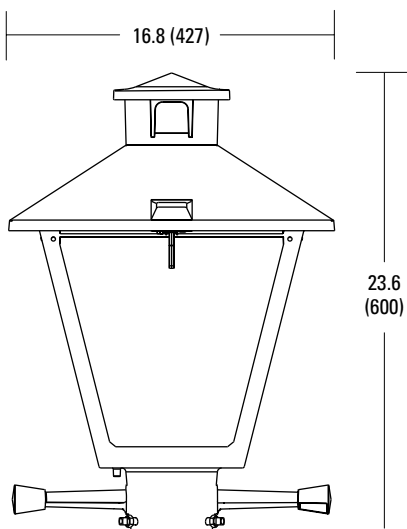
- Colonial LED lantern, replaces HID models up to 150W HPS for street and area lighting applications
- Ten (10) LED performance packages deliver just the right amount of light for any given application up to 8300 lumens
- Available in color temperature choices of 2700K, 3000K, 4000K, and 5000K
- Four (4) distinct light distribution options provide design flexibility, available in Type II, Type III, Type IV, and Type V
- Available with acrylic or polycarbonate lens
- Die-cast aluminum housing, engineered for sturdy lifelong performance
- Die-cast aluminum hood features a trigger latch (TL) option and captive thumb screws for fast, easy electrical and optical chamber access
- Standard paint finish is smooth / gloss
- Housing is tenon pole-mounted and designed for use with a 3" tall by 2-3/8" to 3" diameter tenon, and secured by three set screws
- Rated L70, LED life greater than 100,000 hours at 25°C
- Complies with all applicable ANSI C136 standards.
- CSA listed and suitable for up to 40° C ambient
- Surge protection device (standard) exceeds ANSI/IEEE C62.41-2002 Category C High (10kV/10kA) and ANSI C136.2-2015 Enhanced (10kV/5kA). 20KV Option exceeds ANSI/IEEE C62.41-2002 Category C High (10kV/10kA) and ANSI C136.2-2015 Extreme (20kV/10kA)
- Equipped with LED electronic 0-10V dimmable driver

### Applications:

Streetscapes  
Walkways  
Pathways  
Parks

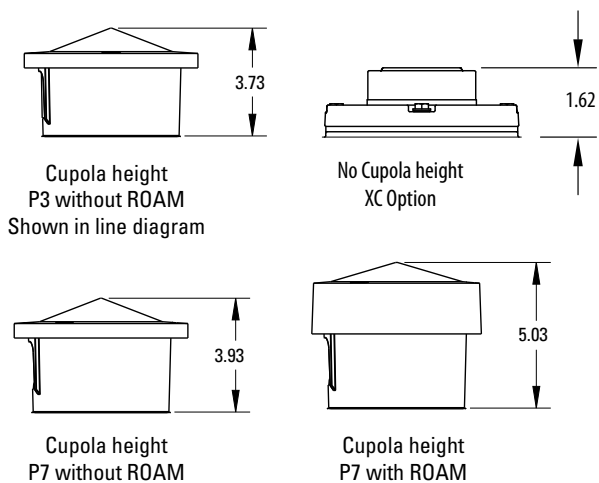


### DIMENSIONS



#### Effective Projected Area (EPA)

The EPA for the American Revolution Series 247 is 1.6 sq. ft.  
P7 option total height is 24.9 (633).  
Approx. Wt. = 36 lbs.



All dimensions are inches (millimeters) unless otherwise noted.

# American Revolution LED

## Series 247L

### ORDERING INFORMATION

Example: 247L P30 AS 40K R3 AY

Series	Performance Package	Voltage	Color Temperature (CCT)																																							
<b>247L</b> American Revolution LED	<table border="1"> <thead> <tr> <th>Package</th> <th>Input Watts</th> <th>Lumens (nominal)</th> </tr> </thead> <tbody> <tr><td>P10</td><td>12</td><td>1,400</td></tr> <tr><td>P15</td><td>18</td><td>2,000</td></tr> <tr><td>P20</td><td>23</td><td>2,500</td></tr> <tr><td>P25</td><td>33</td><td>3,400</td></tr> <tr><td>P30</td><td>40</td><td>3,800</td></tr> <tr><td>P35</td><td>33</td><td>3,700</td></tr> <tr><td>P40</td><td>39</td><td>4,400</td></tr> <tr><td>P45</td><td>46</td><td>5,000</td></tr> <tr><td><b>P50</b></td><td>64</td><td>6,600</td></tr> <tr><td>P55</td><td>77</td><td>7,500</td></tr> </tbody> </table>	Package	Input Watts	Lumens (nominal)	P10	12	1,400	P15	18	2,000	P20	23	2,500	P25	33	3,400	P30	40	3,800	P35	33	3,700	P40	39	4,400	P45	46	5,000	<b>P50</b>	64	6,600	P55	77	7,500	<table border="1"> <tbody> <tr><td><b>AS</b> 120-277V</td></tr> <tr><td><b>AH</b> 347V; 480V</td></tr> </tbody> </table>	<b>AS</b> 120-277V	<b>AH</b> 347V; 480V	<table border="1"> <tbody> <tr><td><b>27K</b> 2700K</td></tr> <tr><td><b>30K</b> 3000K</td></tr> <tr><td><b>40K</b> 4000K</td></tr> <tr><td><b>50K</b> 5000K</td></tr> </tbody> </table>	<b>27K</b> 2700K	<b>30K</b> 3000K	<b>40K</b> 4000K	<b>50K</b> 5000K
Package	Input Watts	Lumens (nominal)																																								
P10	12	1,400																																								
P15	18	2,000																																								
P20	23	2,500																																								
P25	33	3,400																																								
P30	40	3,800																																								
P35	33	3,700																																								
P40	39	4,400																																								
P45	46	5,000																																								
<b>P50</b>	64	6,600																																								
P55	77	7,500																																								
<b>AS</b> 120-277V																																										
<b>AH</b> 347V; 480V																																										
<b>27K</b> 2700K																																										
<b>30K</b> 3000K																																										
<b>40K</b> 4000K																																										
<b>50K</b> 5000K																																										
Distribution	Optics	Options																																								
<table border="1"> <tbody> <tr><td><b>R2</b> Type II</td></tr> <tr><td><b>R3</b> Type III</td></tr> <tr><td><b>R4</b> Type IV</td></tr> <tr><td><b>R5</b> Type V</td></tr> </tbody> </table>	<b>R2</b> Type II	<b>R3</b> Type III	<b>R4</b> Type IV	<b>R5</b> Type V	<table border="1"> <tbody> <tr><td><b>AY</b> Acrylic</td></tr> <tr><td><b>PY</b> Polycarbonate</td></tr> </tbody> </table>	<b>AY</b> Acrylic	<b>PY</b> Polycarbonate	<table border="1"> <thead> <tr><th>Paint <sup>1</sup></th></tr> </thead> <tbody> <tr><td><b>(blank)</b> Black (standard), smooth / gloss</td></tr> <tr><td><b>GY</b> Gray, smooth / gloss</td></tr> <tr><td><b>DDB</b> Dark Bronze, smooth / gloss</td></tr> <tr><td><b>WH</b> White, smooth / gloss</td></tr> <tr><td><b>BZ</b> Bronze, smooth / gloss</td></tr> </tbody> </table>	Paint <sup>1</sup>	<b>(blank)</b> Black (standard), smooth / gloss	<b>GY</b> Gray, smooth / gloss	<b>DDB</b> Dark Bronze, smooth / gloss	<b>WH</b> White, smooth / gloss	<b>BZ</b> Bronze, smooth / gloss																												
<b>R2</b> Type II																																										
<b>R3</b> Type III																																										
<b>R4</b> Type IV																																										
<b>R5</b> Type V																																										
<b>AY</b> Acrylic																																										
<b>PY</b> Polycarbonate																																										
Paint <sup>1</sup>																																										
<b>(blank)</b> Black (standard), smooth / gloss																																										
<b>GY</b> Gray, smooth / gloss																																										
<b>DDB</b> Dark Bronze, smooth / gloss																																										
<b>WH</b> White, smooth / gloss																																										
<b>BZ</b> Bronze, smooth / gloss																																										

#### Controls

<b>(blank)</b> 3 pin NEMA photocontrol (standard)
<b>NR</b> No photocontrol receptacle
<b>P7<sup>2</sup></b> 7 pin NEMA photocontrol
<b>PCLL<sup>3,4</sup></b> (Solid State Long Life Photocontrol, 120-277V)
<b>P34<sup>3,4</sup></b> (Solid State Long Life Photocontrol, 347V)
<b>P48<sup>3,4</sup></b> (Solid State Long Life Photocontrol, 480V)
<b>PCSS<sup>3,4,7</sup></b> Solid state photocontrol, 120-277V (Not CSA Listed)
<b>AO</b> Field adjustable output module
<b>DALI</b> DALI driver (special request)
<b>PND</b> Part night dimming
<b>SH</b> Shorting cap
<b>SHX<sup>7</sup></b> Shorting cap (not CSA listed)

#### Miscellaneous

<b>SS</b> Stainless steel hardware
<b>TL</b> Tool-less latch
<b>NL1X1</b> 1" x 1" NEMA label
<b>NL2X2</b> 2" x 2" NEMA label
<b>XL</b> Not CSA Listed
<b>LDR<sup>5</sup></b> Ladder Rest
<b>RCC<sup>6,8</sup></b> ROAM Cupola Cap
<b>XC<sup>8</sup></b> No Cupola
<b>CR</b> Epoxy Pre-Coat Finish
<b>20kV</b> 20kV/10kA surge protection device
<b>FPDxx</b> Factory programmable driver

#### House-Side Shields

<b>HSB</b> House Side Black
<b>HSW</b> House Side White

#### Prewired leads

<b>L1H</b> 1FT prewire leads
<b>L03</b> 3Ft prewire leads
<b>L10</b> 10FT prewired leads
<b>L20</b> 20ft prewire leads
<b>L25</b> 25ft prewire leads
<b>L30</b> 30ft prewire leads

#### Special Packaging

<b>SSP</b> Sample pack (UPS)
------------------------------

Note: Check the OPTIONS MATRIX on Page 3 for compatibility & restrictions



AEL Headquarters, 3825 Columbus Road, Granville, OH 43023  
www.americanelectriclighting.com

© 2019 Acuity Brands Lighting, Inc. All Rights Reserved. 247L Rev. 12/09/19

**Warranty** Five-year limited warranty. Complete warranty terms located at:  
[www.acuitybrands.com/resources/terms-and-conditions](http://www.acuitybrands.com/resources/terms-and-conditions)

Actual performance may differ as a result of end-user environment and application. All values are design or typical values, measured under laboratory conditions at 25 °C. Specifications subject to change without notice.

*Please contact your sales representative for the latest product information.*

# American Revolution LED

## Series 247L

### OPERATING CHARACTERISTICS

Engine	Watts	CCT	AY Optic							
			R2		R3	R4		R5		
			Lumens	LPW	Lumens	LPW	Lumens	LPW	Lumens	LPW
P10	12	2700K	1,259	104	1,255	104	1,254	104	1,398	116
		3000K	1,293	107	1,289	106	1,287	106	1,435	119
		4000K	1,392	115	1,387	115	1,386	115	1,545	128
		5000K	1,401	116	1,397	115	1,396	115	1,556	129
P15	18	2700K	1,819	103	1,813	102	1,811	102	2,019	114
		3000K	1,867	105	1,861	105	1,860	105	2,073	117
		4000K	2,010	114	2,004	113	2,002	113	2,232	126
		5000K	2,024	114	2,018	114	2,016	114	2,247	127
P20	23	2700K	2,305	100	2,297	99	2,295	99	2,558	111
		3000K	2,366	102	2,359	102	2,356	102	2,627	114
		4000K	2,547	110	2,539	110	2,537	110	2,828	122
		5000K	2,565	111	2,557	111	2,555	111	2,848	123
P25	33	2700K	3,063	93	3,054	92	3,051	92	3,401	103
		3000K	3,145	95	3,135	95	3,132	95	3,492	105
		4000K	3,386	102	3,375	102	3,372	102	3,759	114
		5000K	3,410	103	3,399	103	3,396	103	3,786	114
P30	40	2700K	3,502	88	3,491	87	3,488	87	3,888	97
		3000K	3,596	90	3,585	90	3,581	90	3,992	100
		4000K	3,871	97	3,859	97	3,855	97	4,297	108
		5000K	3,898	98	3,886	97	3,882	104	4,328	104
P35	33	2700K	3,411	104	3,400	103	3,397	103	3,787	115
		3000K	3,502	106	3,491	106	3,487	106	3,888	118
		4000K	3,770	115	3,758	114	3,754	114	4,185	127
		5000K	3,796	115	3,784	115	3,781	115	4,215	128
P40	39	2700K	3,982	101	3,969	101	3,965	101	4,420	112
		3000K	4,088	104	4,075	104	4,071	104	4,539	115
		4000K	4,401	112	4,387	112	4,383	112	4,886	124
		5000K	4,432	113	4,418	112	4,414	112	4,920	125
P45	46	2700K	4,521	99	4,507	98	4,502	98	5,019	109
		3000K	4,642	101	4,627	101	4,623	101	5,154	112
		4000K	4,997	109	4,981	109	4,976	108	5,548	121
		5000K	5,033	110	5,017	109	5,012	109	5,587	122
P50	64	2700K	5,960	93	5,941	93	5,935	92	6,616	103
		3000K	6,119	95	6,100	95	6,094	95	6,793	106
		4000K	6,587	103	6,566	102	6,560	102	7,313	114
		5000K	6,634	103	6,613	103	6,606	103	7,365	115
P55	77	2700K	6,776	88	6,755	87	6,748	87	7,523	97
		3000K	6,957	90	6,936	90	6,929	90	7,724	100
		4000K	7,489	97	7,466	97	7,459	97	8,315	108
		5000K	7,543	98	7,519	97	7,512	97	8,374	108

The table above presents data from AY optic/ lens testing. To factor performance using other optics available, use the following performance factors by lens/optic type:

Lens / Optic	Factor
AY	1.00
PY	.92

Example: P20 40K R3 AY has 2390 Lumens		
Converted Lumens	AY	PY
		2390



AEL Headquarters, 3825 Columbus Road, Granville, OH 43023  
 www.americanelectriclighting.com  
 © 2019 Acuity Brands Lighting, Inc. All Rights Reserved. 247L Rev. 12/09/19

**Warranty** Five-year limited warranty. Complete warranty terms located at:  
[www.acuitybrands.com/resources/terms-and-conditions](http://www.acuitybrands.com/resources/terms-and-conditions)  
 Actual performance may differ as a result of end-user environment and application.  
 All values are design or typical values, measured under laboratory conditions at 25 °C.  
 Specifications subject to change without notice.

**Please contact your sales representative for the latest product information.**